

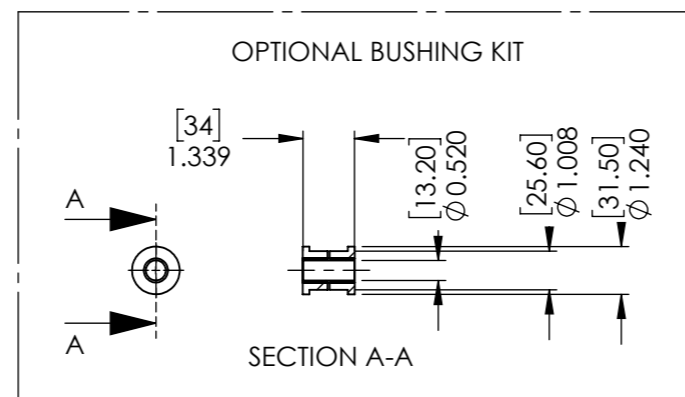
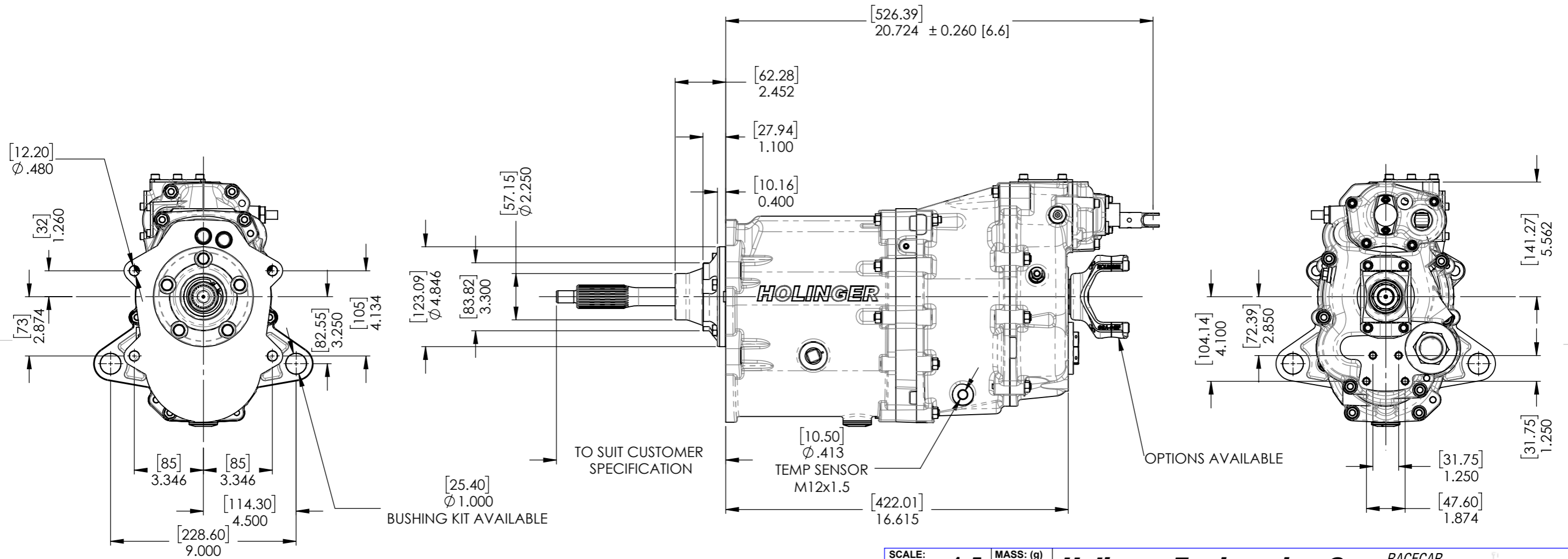
# RD6-SFR SEQUENTIAL TRANSMISSION

## TRANSMISSION INCLUDES:

- GEARBOX
- CUSTOM QUILL SHAFT
- CABLE OPERATED NEUTRAL LOCKOUT
- OUTPUT FLANGE

## OPTIONS INCLUDE:

- BELLHOUSING
- FRONT ADAPTOR
- GEAR LEVER
- MOUNT BUSHES



SCALE: <b>1:5</b>	MASS: (g)	<b>Holinger Engineering Co.</b> RACECAR GEARBOXES	
SHEET SIZE: <b>A3</b>		12-14 SOUTHFORK DRIVE, KILSYTH, VICTORIA, AUSTRALIA 3137 PH. +61 3 9761 7964 FAX. +61 3 9761 7965 info@holinger.com.au	
DRAWN: A. ZIEGELAAR	DATE: 02/02/2022	COPYRIGHT This drawing is the property of HOLINGER ENGINEERING Co. Pty. Ltd. and is submitted confidentially. Any use of its contents without written permission is strictly prohibited.	PART No: <b>ARD6-SFR</b>
APPROVED: N. DAVIS	DATE: 02/02/2022		CUSTOMER PART No: -
HOLINGER PART MARKING AT LOCATION MARKED @:			NAME: <b>ARD6-SFR INSTALLATION DRAWING</b>
1	HOLINGER PART No.	/ XXX-XXX	HEAT TREATMENT: -
2	CUSTOMER PART No.	/ XXX.XXX.XXX.XX	SURFACE TREATMENT: -
3	MATERIAL No. (GEARS ONLY)	/ XXX	MATERIAL: -
4	JOB NUMBER	/ XXXXX	
5	MANUFACTURER	/ HOLINGER	
6	COUNTRY OF ORIGIN	/ MADE IN AUSTRALIA	
7	CUSTOMER LOGO	/	
GENERAL TOLERANCES UNLESS OTHERWISE STATED:			GENERAL MACHINED SURFACE FINISH: $\sqrt{63}$ MILLED $\sqrt{32}$ TURNED $\sqrt{8}$ GROUND
LINEAR	ANGULAR	DIAMETRAL	ALL DIMENSIONS IN INCHES UNLESS OTHERWISE STATED
0.000 $\pm$ 0.002	0 $\pm$ 1°	0.000 $\pm$ 0.002	# CHECK DIMENSIONS ACCORDING TO HOLINGER I.P.I. SHEET
0.00 $\pm$ 0.005	0.0 $\pm$ 0.2°	0.00 $\pm$ 0.005	